

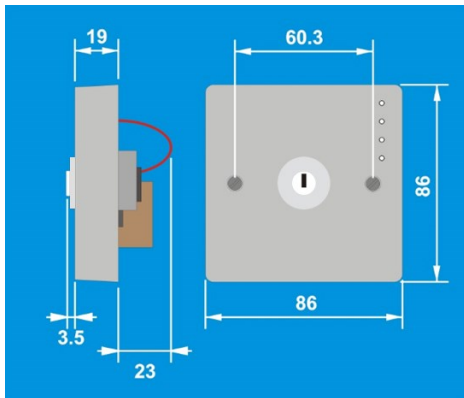


# ELT10 INSTALLATION GUIDE

## Emergency Lighting Test Switch

### Overview

#### Product Dimensions

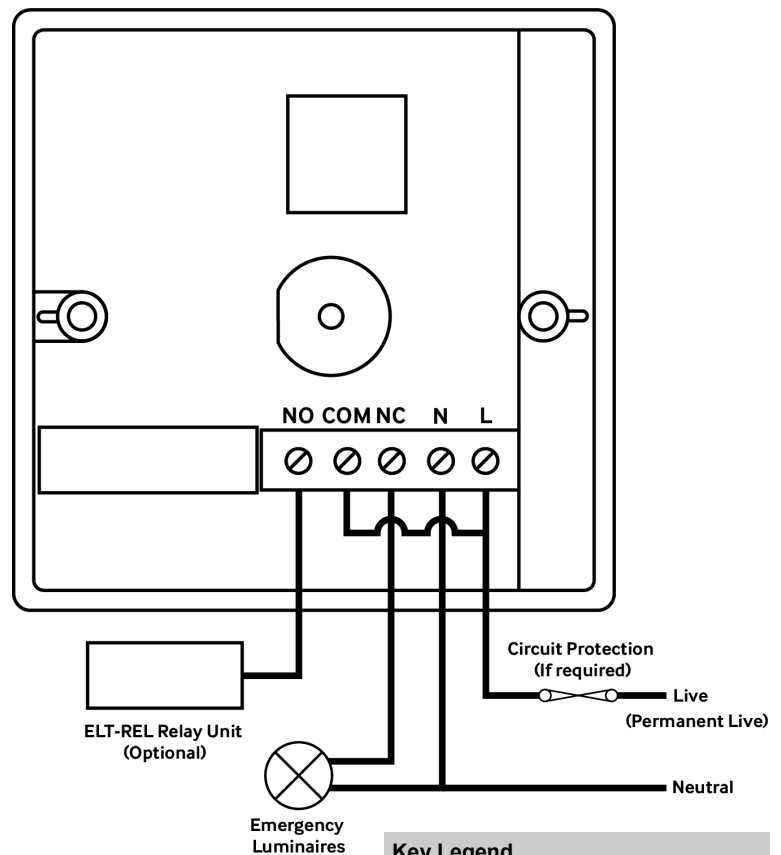


The ELT10 Emergency Lighting Test Switch, is designed to test the function of emergency luminaires by interrupting the permanent live mains supply by pre-programmed time periods. For security of operation a key switch is used. At the end of the selected time period the permanent live supply to the emergency luminaires is automatically re-instated. This results in a well-managed battery discharge, reducing the risk of depleting the battery life and performance.

Three pre-programmed test intervals are available:

- 10 minutes
- 1 hour (60 minutes)
- 3 hours (180 minutes)

#### Wiring



#### Key Legend

- L — LIVE (Permanent Live)
- N — NEUTRAL
- NC — NORMALLY CLOSED
- COM — COMMON
- NO — NORMALLY OPEN

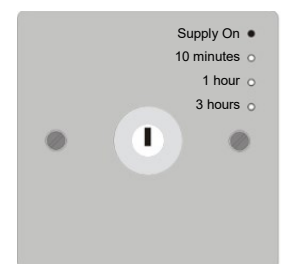
### Installation

**Warning.** This device works at mains potential. Be sure to take care when working with electricity.

1. Isolate the mains supply to the circuit at the main distribution board.
2. Wire the ELT10 as in the diagram above.
3. Connect to the Emergency lighting test switch via the terminal block.
  - a. Live (Permanent Live) supply to the L terminal
  - b. Neutral supply to the N terminal
  - c. For standard operation connect the emergency lighting Load the NC terminal and Loop the incoming permanent live to the COM terminal
  - d. When using the ELT-REL relay unit, connect the relay to the NO terminal and Loop the incoming permanent live to the COM terminal
4. This device has a voltage free changeover contact output.
5. Screw unit to the wall.
6. Switch on the mains supply to the circuit at the main distribution board.
7. The **SUPPLY ON** lamp will light up (see the adjacent image).

#### IMPORTANT NOTICE!

This device should be installed by a qualified electrician in accordance with the latest edition of the IET wiring regulations.



**Supply On**

## Testing

1. The unit will power up with the **SUPPLY ON** lamp illuminated — NOTE the supply will be connected to the NC output energising the connected emergency luminaire loads.
2. To select a test time turn and release the key switch to select the 10 minutes test interval. Turn and release again to select the next test interval - the supply will be disconnected from the NC output and connected emergency luminaire loads for the duration of the test.
3. 10 minute test - The LED light adjacent to the 10 minutes will keep blinking during the test time. Once the test is complete the SUPPLY ON LED will light up.
4. 1 Hour test - The LED light adjacent to the 10 minutes will light up, and the 1 hour LED will keep blinking during the test time. On 10 minutes left to test the 10 minutes LED will start blinking. Once the test is complete the SUPPLY ON LED will light up.
5. 3 Hour test - The LED light adjacent to the 10 minutes and the 1 hour LED will light up and the 3 Hour LED will keep blinking during the test time. On 1 hour left to test the 1 hour LED will start blinking, on 10 minutes left to test the 10 minutes LED will start blinking. Once the test is complete the SUPPLY ON LED will light up.
6. The blinking of the LED denotes the test time left.
7. To cancel a test, turn and release the key switch until the SUPPLY ON LED illuminates.



## Specification

### LOAD

10 Amp incandescent lighting  
 6 Amp fluorescent lighting  
 3 Amp compact fluorescent lighting  
 3 Amp LED lighting  
 3 Amp low voltage lighting  
 Fluorescent lighting (max 6 fittings recommended)  
 For fluorescent lighting total power factor correction capacitance must not exceed 40µF

### SUPPLY VOLTAGE

220-240 Volts AC 50 Hz

### TIMING PERIOD

10 minutes, 1 hour, 3 hours

### FIXING METHOD

Surface fixing 25mm deep plastic surface mount moulded box.  
 Flush fixing 25mm steel wall box or 32mm deep cavity wall box.

### TERMINAL CAPACITY

2.5mm<sup>2</sup>

### CONTACTS

Microgap µ

### MATERIAL

Flame retardant ABS

### TYPE

Class 2

### TEMPERATURE

-10°C to 35°C

### CONFORMITY

EMC-2014/30/EU  
 LVD-2014/35/EU



For further compliance information visit  
[www.cpelectronics.co.uk/compliance](http://www.cpelectronics.co.uk/compliance)



A brand of **legrand**

### C.P. Electronics Ltd

Brent Crescent  
 London  
 NW10 7XR  
 United Kingdom  
 Tel: + 44 (0) 333 900 0671  
 Fax: + 44 (0) 333 900 0674  
[www.cpelectronics.com](http://www.cpelectronics.com)  
[enquiry@cpelectronics.com](mailto:enquiry@cpelectronics.com)